

ONTARIO-MONTCLAIR SCHOOL DISTRICT  
Oaks Middle School Family Orientation Letter

AVID School-wide Site of Distinction; AVID National Demonstration School; AVID Site Team Advocacy Award; PBIS Gold Award  
July 28<sup>th</sup>, 2020 1221 S. Oaks Avenue, Ontario, CA 91762 (909) 988-2050; Fax (909) 988-2081

Dear Oaks Family Members,  
Welcome to a new school year! Although we are starting the school year under an online learning model, we are moving forward with having our annual student/parent orientation. The plan below allows for following proper safety protocols due to COVID-19. **Please note that PE clothes, and Yearbooks will be taken care of at a later date.**

**Orientation**  
Orientation will be held on **Wednesday, August 5, 2020 for 7<sup>th</sup> grade students AND on Thursday, August 6<sup>th</sup>, 2020 for 8<sup>th</sup> Grade students.** Please see below for your orientation time. A Parent/Guardian **must** be present in order for your child to attend orientation (Due to COVID-19 we ask that only one parent/guardian attend- No siblings please). Parking is limited, so please arrive early! **Please keep in mind that there will not be any requested schedule changes made during the first two weeks of school – unless there is a schedule conflict.**

7 <sup>th</sup> grade Orientation Schedule Wednesday, August 5 <sup>th</sup> , 2020 8:00 am – 3:00 pm	
Time	Last Name Begins
8:00am – 9:00am	A - C
9:30am – 10:30am	D - H
11:00am – 12:00pm	I - N
12:30pm – 1:30pm	O - R
2:00pm – 3:00pm	S - Z

8 <sup>th</sup> grade Orientation Schedule Thursday, August 6 <sup>th</sup> , 2020 8:00 am – 3:00 pm	
Time	Last Name Begins
8:00 am – 9:00am	A - D
9:30am – 10:30am	E - K
11:00am – 12:00pm	L - M
12:30pm – 1:30pm	N - R
2:00pm – 3:00pm	S - Z

**Check In (Please arrive to school 15 minutes early for check in!!!)**  
Families will arrive to school 15 minutes before their designated times based on the first letter of their last name as per the schedule above. Check-in will occur at the two locations shown on the map. Please adhere to social distancing while waiting to be checked-in. All students and parents will need to wear a face covering at all times during the orientation. While checking in, students and families will have their temperature taken with a non-contact thermometer. Those with a temperature over 99.9 degrees will be asked to return home.

**Schedule of Activities for Orientation**  
After families check-in, they will report to their color-coded group- **based on Last Name (as identified below)**. We are dividing families up this way to support social-distancing as each group will have approximately 20 students. **Please ensure you know your color-coded group before arriving to campus! \*At the end of your orientation time- families will have 15 minutes to go to their student's classrooms to pick up any items from their teacher, before exiting campus\***

**7<sup>th</sup> Grade**

Time	Red Group	Green Group	Gold Group	Blue Group
8:00-9:00	Last Name Begins with- Ad to Ar	Last Name Begins with- Av to Bu	Last Name Begins with- Ca to Ch	Last Name Begins with- Co to Cu
9:30-10:30	Last Name Begins with- Da to Es	Last Name Begins with- Fa to Ga	Last Name Begins with- Gi to Gu	Last Name Begins with- Ha to Hu
11:00-12:00	Last Name Begins with- In to Ly	Last Name Begins with- Ma	Last Name Begins with- Me to Mo	Last Name Begins with- Mu to Ni
12:30-1:30	Last Name Begins with- Oc to Pa	Last Name Begins with- Pe to Po	Last Name Begins with- Pu to Ri	Last Name Begins with- Ro to Ru
2:00-3:00	Last Name Begins with- Sa	Last Name Begins with- Se to To	Last Name Begins with- Tr to Va	Last Name Begins with- Ve to Za

**8<sup>th</sup> Grade**

Time	Red Group	Green Group	Gold Group	Blue Group
8:00-9:00	Last Name Begins with- Ab to Ar	Last Name Begins with- Ba to Ca	Last Name Begins with- Ce to Cr	Last Name Begins with- De to Du
9:30-10:30	Last Name Begins with- El to Fl	Last Name Begins with- Fr to Go	Last Name Begins with- Gr to He	Last Name Begins with- Ho to Kh
11:00-12:00	Last Name Begins with- La to Lo	Last Name Begins with- Lu to Mc	Last Name Begins with- Me to Mi	Last Name Begins with- Mo to My
12:30-1:30	Last Name Begins with- Na to Pa	Last Name Begins with- Pe to Qu	Last Name Begins with- Ra to Ri	Last Name Begins with- Ro to Ru
2:00-3:00	Last Name Begins with- Sa to St	Last Name Begins with- Ta to Ut	Last Name Begins with- Va	Last Name Begins with- Ve to Za

**Stations**

Station 1	Station 2	Station 3	Station 4
<b>Purpose:</b> Students and families will be provided with a technology use tutorial. <b>Location:</b> Gym/MPR <b>School Representative:</b> Mr. John Boyd-Teacher on Assignment	<b>Purpose:</b> Students/Parents will sign up for School Loop. <b>Location:</b> Gym/MPR <b>School Representative:</b> Mrs. Celeste Messina- School Counselor	<b>Purpose:</b> Students will check out their personal school issued Chromebook and receive textbooks. <b>Location:</b> Library <b>School Representative:</b> Mr. John Cruz-Library Technician	<b>Purpose:</b> Students will be provided with school planners and parents will fill out emergency cards. <b>Location:</b> Outside Quad Area <b>School Representative:</b> Mrs. Alissa Garcia- Assistant Principal

**Group Rotation Schedule (This is the order in which you will report to each station. Each station is 15 min.-we will signal families to move to the next group)**

Red Group	Green Group	Gold Group	Blue Group
Station 1	Station 2	Station 3	Station 4
Station 2	Station 3	Station 4	Station 1
Station 3	Station 4	Station 1	Station 2
Station 4	Station 1	Station 2	Station 3

**Ontario-Montclair School District  
COVID-19 Symptom Monitoring Certification  
All OMSD Staff and Visiting Adults**

**Please answer the following with a YES or NO response:**

1. In the past 72 hours, have you had a fever greater than 100 degrees?
2. Are you experiencing any of the following symptoms:
  - Shortness of breath or difficulty breathing
  - Persistent cough
  - Sore throat
  - Congestion
  - Runny nose
  - Chills
  - Muscle pain
  - Nausea
  - Vomiting
  - Diarrhea
  - Rash of unknown origin
  - New loss of taste or smell
3. In the last 14 days, have you or someone in your home tested positive for COVID-19?
4. Are you or someone in your home awaiting results of a COVID-19 test?
5. In the last 14 days, have you had close interaction with someone diagnosed with COVID-19?
6. In the past 30 days, have you traveled outside the United States to an outbreak country or taken a cruise (refer to [CDC Travel Restrictions List](#))?

**If YES to any of the above questions. STOP!!!**

- OMSD Employees - contact your supervisor before entering school or office
- OMSD Visitors - inform front office staff before entering school or office



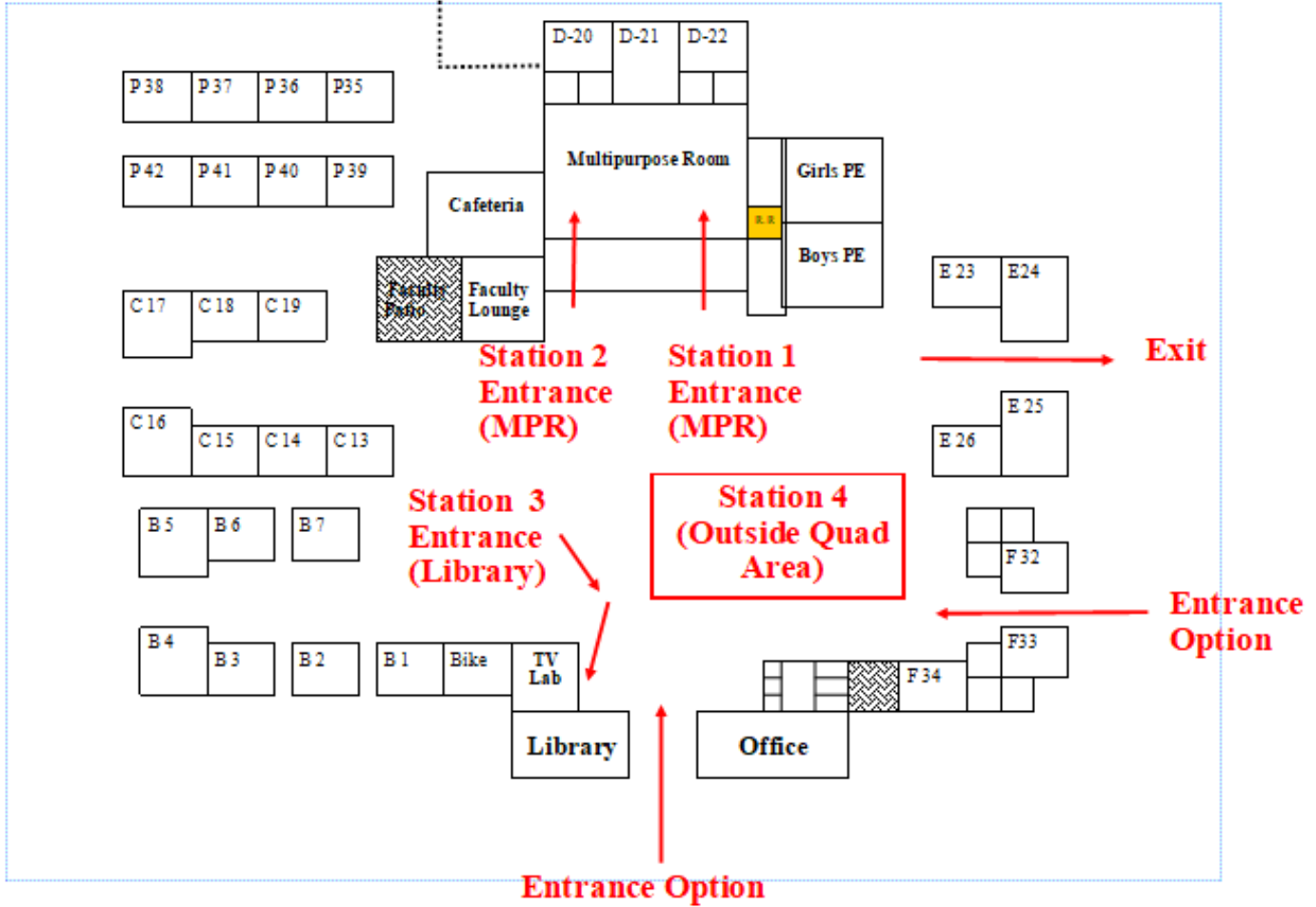
Revised 6/26/20

**\*Important Note\***

*Arrive 15 minutes before your scheduled time to begin check-in! If you would answer "Yes" to any of the above questions- please DO NOT attend orientation. During check in you will be asked about the above questions, and if you answer "Yes" you will be asked to leave campus. Your temperature will be taken, and if it is above 99.9 degrees, you will be asked to leave campus. Thank you for your attention to the health and safety of our staff, students, and entire school community!*

# \*Map of Orientation Stations/Activities\*

## Oaks Middle School



### ***First Day of School***

**The first day of school is Friday, August 7<sup>th</sup>.** Since we are starting school online, on this day your child's teachers will be reaching out virtually/online to ensure students are set up with the programs, accounts, user names/passwords, etc. to effectively learn under the online model.

### ***School Supplies***

We ask that families purchase the following essential school supplies:

1 ½ inch Binder	2 -100 sheet Graphing composition books (¼ squares/grid)	Highlighters (various colors)	Pencil top erasers	Blue/Black ink pens	
Colored pencils	3- 100 sheet composition books	Post Its (various sizes and colors)	College-ruled paper	Glue Sticks	Ruler
Pack of Pencils	3x5 index cards for Math and Science	Graph paper (8 ½ x 11 inch) ¼ squares/grid	Dividers (6-8 pack)	Scotch Tape	No Scissors

### ***Back-to-School Night***

Mark your calendars!! **Our Virtual Back-to-School Night is Thursday, August 13<sup>th</sup> at 5:00 pm.** More information will be provided during the first week of school.

Sincerely,

Mr. Nick Zajicek, Principal

Mrs. Alissa Garcia, Assistant Principal